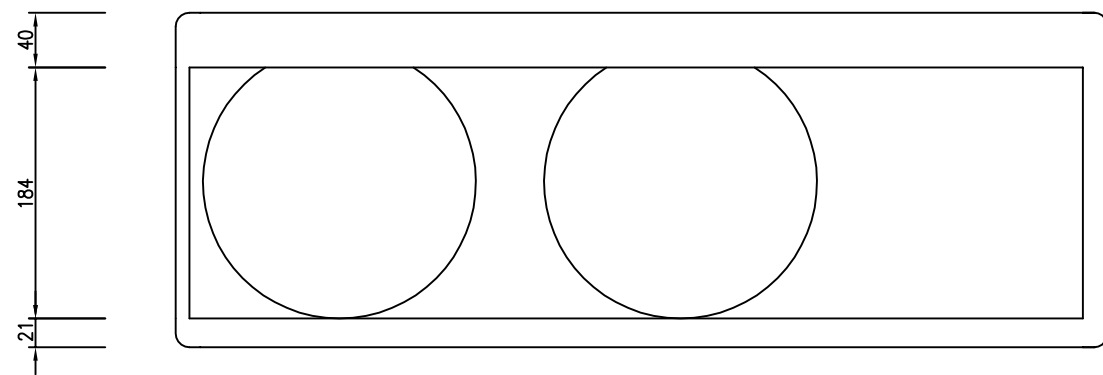
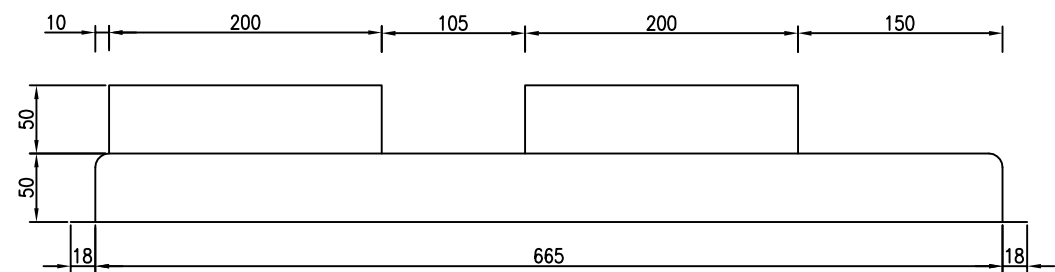


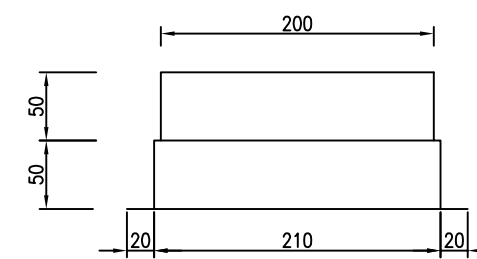
FRONT VIEW



REAR VIEW



PLAN VIEW



SIDE VIEW